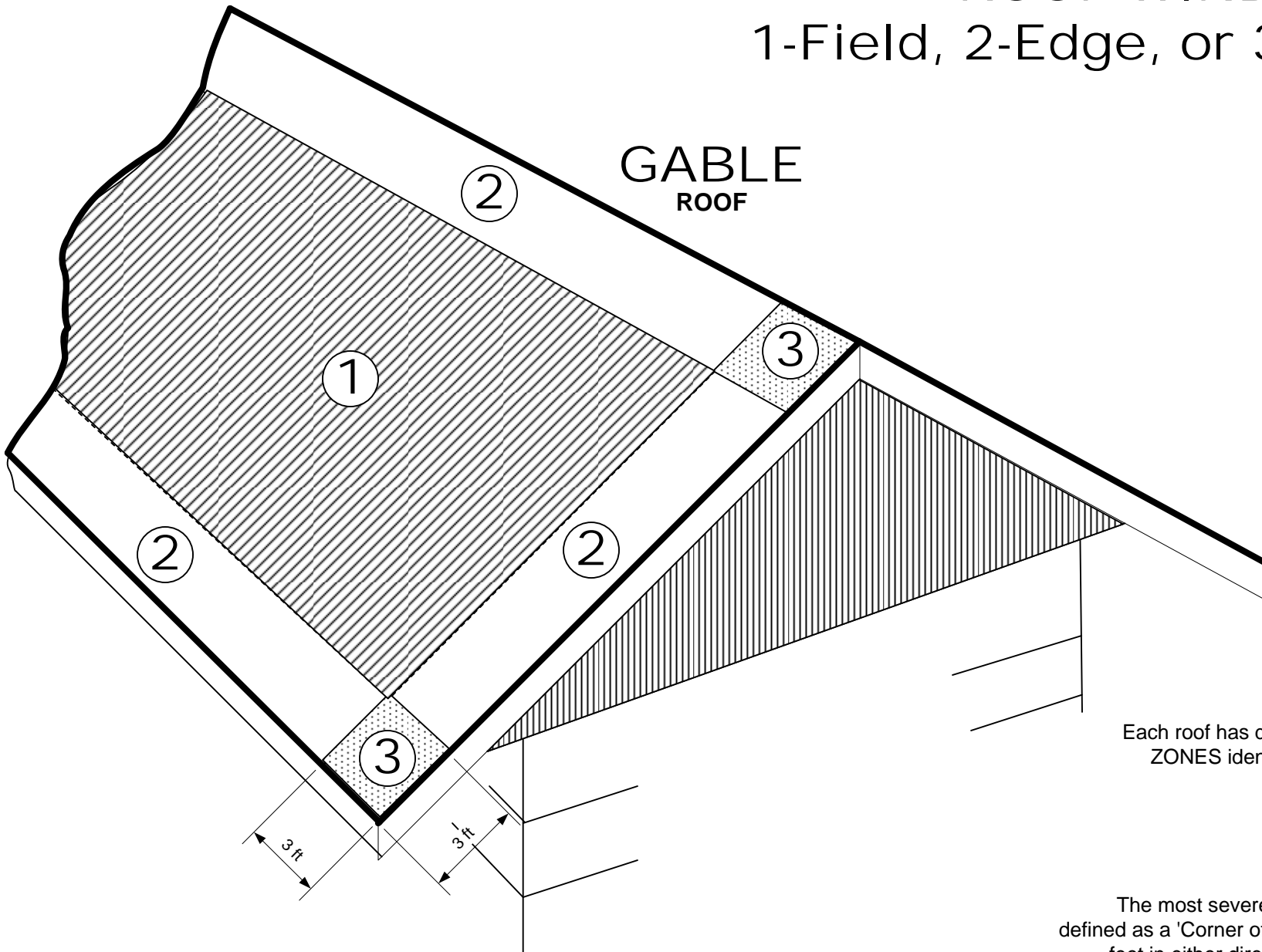


ROOF WIND ZONES 1-Field, 2-Edge, or 3-Corner



Each roof has designated ROOF WIND ZONES identified as either 1,2, or 3.

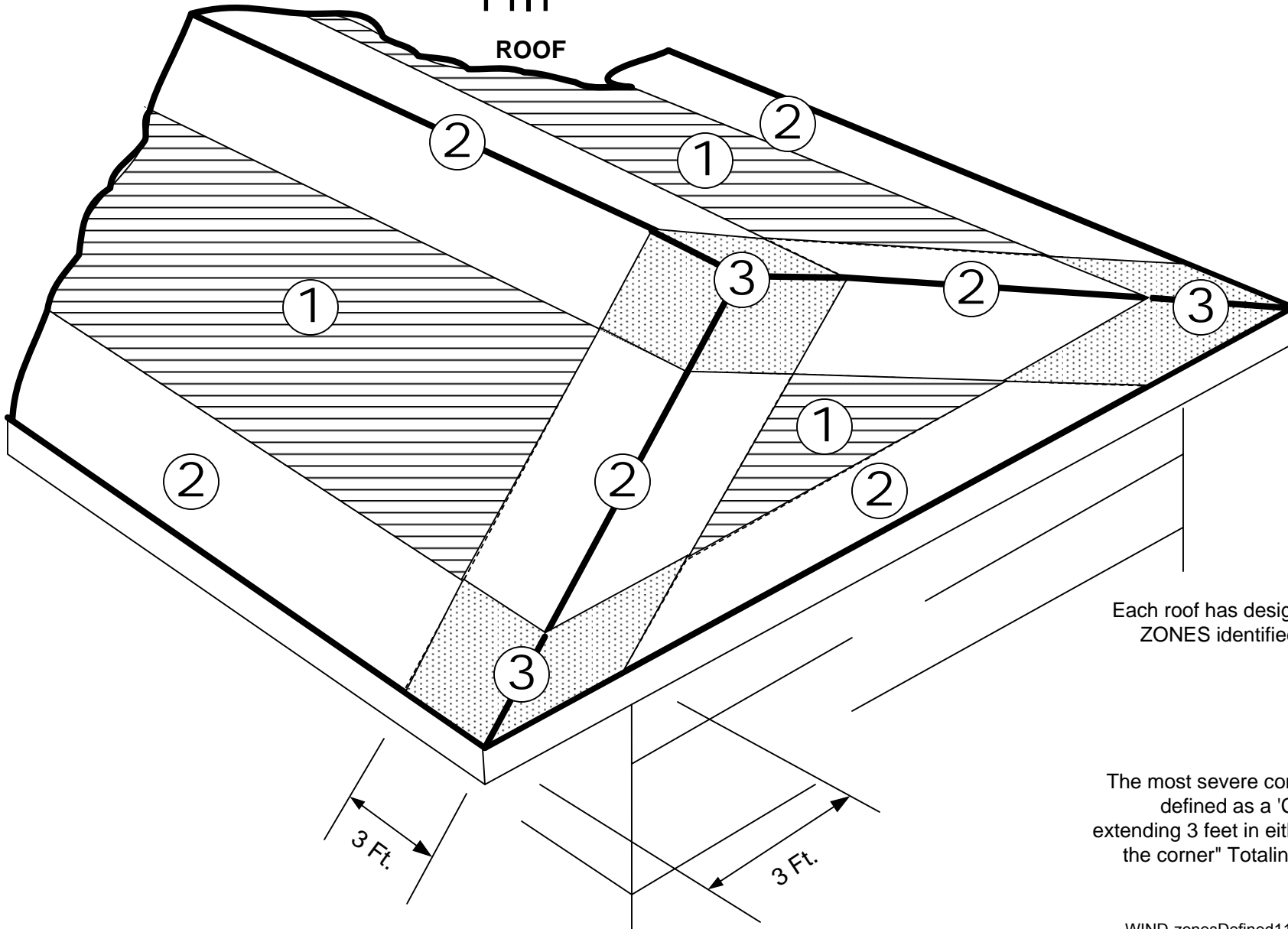
- ZONE-1 = "Field"
- ZONE-2 = "Edge"
- ZONE-3 = "Corner"

The most severe condition is a '3' and is defined as a 'Corner of a structure extending 3 feet in either direction around the corner' Totaling approximately 10-square feet.

ROOF WIND ZONES

1-Field, 2-Edge, or 3-Corner

HIP
ROOF



Each roof has designated ROOF WIND ZONES identified as either 1,2, or 3.

- ZONE-1 = "Field"
- ZONE-2 = "Edge"
- ZONE-3 = "Corner"

The most severe condition is a '3' and is defined as a 'Corner of a structure extending 3 feet in either direction around the corner' Totalling approximately 10-square feet.